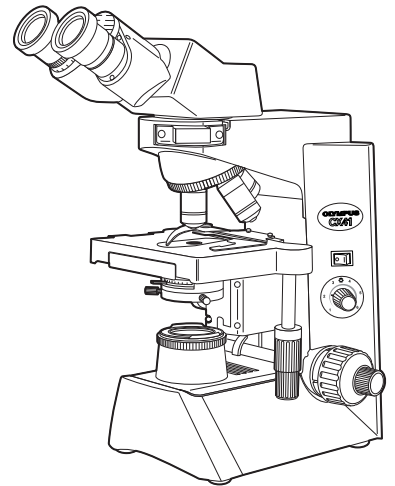


# OLYMPUS®

---



## INSTRUCTIONS

---

# CX41

## SYSTEM MICROSCOPE

This instruction manual is for the Olympus System Microscope Model CX41. To ensure the safety, obtain optimum performance and to familiarize yourself fully with the use of this microscope, we recommend that you study this manual thoroughly before operating the microscope. Retain this instruction manual in an easily accessible place near the work desk for future reference.



A X 7 2 5 5



# CONTENTS

Correct assembly and adjustments are critical for the microscope to exhibit its full performance. If you are going to assemble the microscope yourself, please read Chapter 7, "ASSEMBLY" (pages 21 to 24) carefully.

	Page
<b>IMPORTANT – Be sure to read this section for safe use of the equipment. – 1-3</b>	
<b>1 NOMENCLATURE</b>	<b>4</b>
<b>2 SUMMARY OF BRIGHTFIELD OBSERVATION PROCEDURE</b>	<b>5-6</b>
<b>3 USING THE CONTROLS</b>	<b>7-16</b>
3-1 Base.....	7
<b>1</b> Turning On the Bulb <b>2</b> Field Iris Diaphragm <b>3</b> Dummy Slider	
3-2 Focusing Block.....	8
<b>1</b> Adjusting the Coarse Adjustment Knob Tension <b>2</b> Pre-focusing Lever	
3-3 Stage.....	9-10
<b>1</b> Placing the Specimen <b>2</b> Moving the Specimen	
3-4 Observation Tube.....	10-12
<b>1</b> Adjusting the Interpupillar Distance <b>2</b> Adjusting the Tilt <b>3</b> Adjusting the Diopter	
<b>4</b> Using the Eye Shades <b>5</b> Light Intensity Ratio of Trinocular Tube U-CTR30-2	
<b>6</b> Photomicrography/TV Observation <b>7</b> Using the Eyepiece Micrometer Disk	
3-5 Condenser.....	12-14
<b>1</b> Centering the Field Iris Diaphragm <b>2</b> Aperture Iris Diaphragm	
<b>3</b> Using Filters <b>4</b> Using Darkfield Ring CH2-DS	
<b>5</b> Using Low-Power Light Adjustment Objective CX-LA	
<b>6</b> Compatibility of Option Units and Condensers	
3-6 Immersion Objectives.....	15
3-7 Simplified Phase Contrast Ring Slits CX-PH1/PH2/PH3.....	16
<b>4 TROUBLESHOOTING GUIDE</b>	<b>17-18</b>
<b>5 SPECIFICATIONS</b>	<b>19</b>
<b>6 OPTICAL CHARACTERISTICS</b>	<b>20</b>
<b>7 ASSEMBLY – See this section for the replacement of the light bulb. – 21-24</b>	
<b>■ PROPER SELECTION OF THE POWER SUPPLY CORD</b> .....	<b>25-26</b>

# IMPORTANT

This microscope employs a UIS (Universal Infinity System) optical design, and should be used only with UIS eyepieces, objectives and condensers, etc. (Other modules described on page 21 may also be usable with this microscope. For details, please consult Olympus or the catalogue.) Less than optimum performance may result if inappropriate accessories are used.

## SAFETY PRECAUTIONS

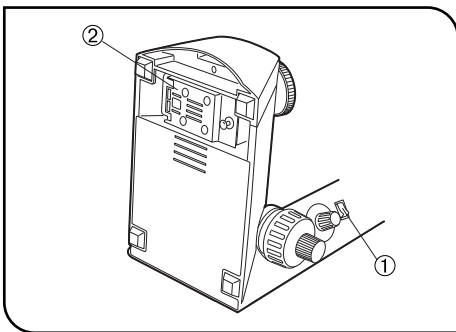






Fig. 1

1. After the equipment has been used in an observation of a specimen that is accompanied with a potential of infection, clean the parts coming in contact with the specimen to prevent infection.
  - Moving this product is accompanied with the risk of dropping the specimen. Be sure to remove the specimen before moving this product.
  - In case the specimen is damaged by erroneous operation, promptly take the infection prevention measures.
  - The product becomes unstable if its height is increased by an accessory mounted on it. In this case, take anti-topping measures to prevent the specimen from being dropped when the product topples down.
2. To avoid potential shock hazard and fire, always set the main switch ① to “○” (OFF) and disconnect the power cord from the AC receptacle at the rear of the microscope and from the wall outlet before replacing the bulb. Allow the lamp housing cover ② and the bulb to cool before touching them.
3. Install the microscope on a sturdy, level table.

The air vents on the underside of the base should never be blocked by placing the microscope on a flexible surface such as a carpet, as this could result in overheating and cause a fire.
4. Always use the power cord provided by Olympus. If no power cord is provided, please select the proper power cord by referring to the section “PROPER SELECTION OF THE POWER SUPPLY CORD” at the end of this instruction manual. If the proper power cord is not used, Olympus can no longer warrant the electrical safety and performance of the equipment.
5. When installing the microscope, route the power cord away from the microscope base. Should the power cord come in contact with the hot microscope base, the power cord could melt and cause electric shock.
6. Connect the power cord correctly and ensure that the grounding terminal of the power supply and that of the wall outlet are properly connected. If the equipment is not grounded, Olympus can no longer warrant the electrical safety and performance of the equipment.
7. Never set the main switch ① to “I” (ON) while any metallic object is inserted into the air vents of the microscope frame as this will result in electrical shock, personal injury and equipment damage.
8. When the microscope is not in use or when it is malfunctioning, disconnect the power cord plug from the AC receptacle or from the wall outlet.


**Safety Symbols**

The following symbols are found on the microscope. Study the meaning of the symbols and always use the equipment in the safest possible manner.

Symbol	Explanation
	Indicates that the surface becomes hot, and should not be touched with bare hands.
	Before use, carefully read the instruction manual. Improper handling could result in personal injury to the user and/or damage to the equipment.
	Indicates that the main switch is ON.
	Indicates that the main switch is OFF.

**Warning Label**

A warning label is affixed at parts where special precaution is required when handling and using the microscope. Always heed the warnings.

<b>Warning label position:</b>	<b>Base underside (Caution for bulb replacement)</b>	
--------------------------------	--	---

If the warning label becomes soiled, peeled off, etc., contact Olympus to have it replaced.

**1 Getting Ready**

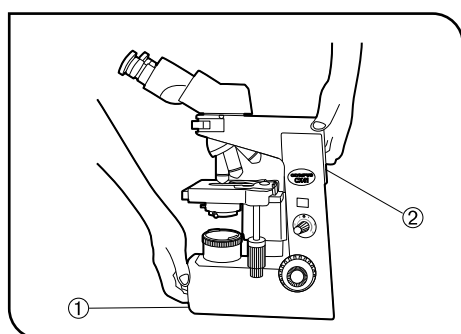


Fig. 2

1. A microscope is a precision instrument. Handle it with care and avoid subjecting it to sudden or severe impact.
2. Do not use the microscope where it is subjected to direct sunlight, high temperature and humidity, dust or vibrations. (For the operating environment conditions, refer to and adhere to the conditions specified in Chapter 5, "SPECIFICATIONS" on page 19.)
3. The tension of the coarse focus adjustment knob should only be adjusted by means of the tension adjustment ring.
4. Heat from the microscope is led away by natural convection. Consequently, leave an enough space (10 cm or more) on the rear of the microscope and ensure that the room is well ventilated.
5. When moving the microscope, carefully carry it with one hand under the base ① and the other hand holding at the recessed handle on the rear of the arm ② as shown in the illustration on the left.

★**Damage to the microscope will occur if you hold it by the stage, X-axis/Y-axis knob, binocular section of the observation tube, etc. Also make sure that eyepieces, specimen, filters, etc. do not fall off.**

★**Sliding the microscope on the surface of the table may damage or tear off the rubber feet and/or scratch the table top surface.**

## 2 Maintenance and Storage

1. To clean the lenses and other glass components, simply blow dirty away using a commercially available blower and wipe gently using a piece of cleaning paper (or clean gauze).

If a lens is stained with fingerprints or oil smudges, wipe it gauze slightly moistened with commercially available absolute alcohol.

**▲ Since the absolute alcohol is highly flammable, it must be handled carefully.**

**Be sure to keep it away from open flames or potential sources of electrical sparks - for example, electrical equipment that is being switched on or off.**

**Also remember to always use it only in a well-ventilated room.**

2. Do not attempt to use organic solvents to clean the non-optical components of the microscope. To clean them, use a lint-free, soft cloth lightly moistened with a diluted neutral detergent.

3. Do not disassemble any part of the microscope as malfunction or damage may occur.

4. When not using the microscope, ensure that the frame is cooled down and store it in a locker or cover it with a dust cover.

5. When disposing of the microscope, check the regulations and rules of your local government and be sure to observe them.

## 3 Caution

If the microscope is used in a manner not specified by this manual, the safety of the user may be imperiled. In addition, the equipment may also be damaged. Always use the equipment as outlined in this instruction manual.

The following symbols are used to set off text in this instruction manual.

▲ : Indicates that failure to follow the instructions in the warning could result in bodily harm to the user and/or damage to equipment (including objects in the vicinity of the equipment).

★ : Indicates that failure to follow the instructions could result in damage to equipment.

◎ : Indicates commentary (for ease of operation and maintenance).

## 4 Intended use

This instrument has been designed to be used to observe magnified images of specimens in routine and research applications.

Do not use this instrument for any purpose other than its intended use.



This device complies with the requirements of directive 98/79/EC concerning in vitro diagnostic medical devices. CE marking means the conformity to the directive.

**NOTE** : This equipment has been tested and found to comply with the limits for a Class A digital device, pursuant to Part 15 of the FCC Rules. These limits are designed to provide reasonable protection against harmful interference when the equipment is operated in a commercial environment. This equipment generates, uses, and can radiate radio frequency energy and, if not installed and used in accordance with the instruction manual, may cause harmful interference to radio communications. Operation of this equipment in a residential area is likely to cause harmful interference in which case the user will be required to correct the interference at his own expense.

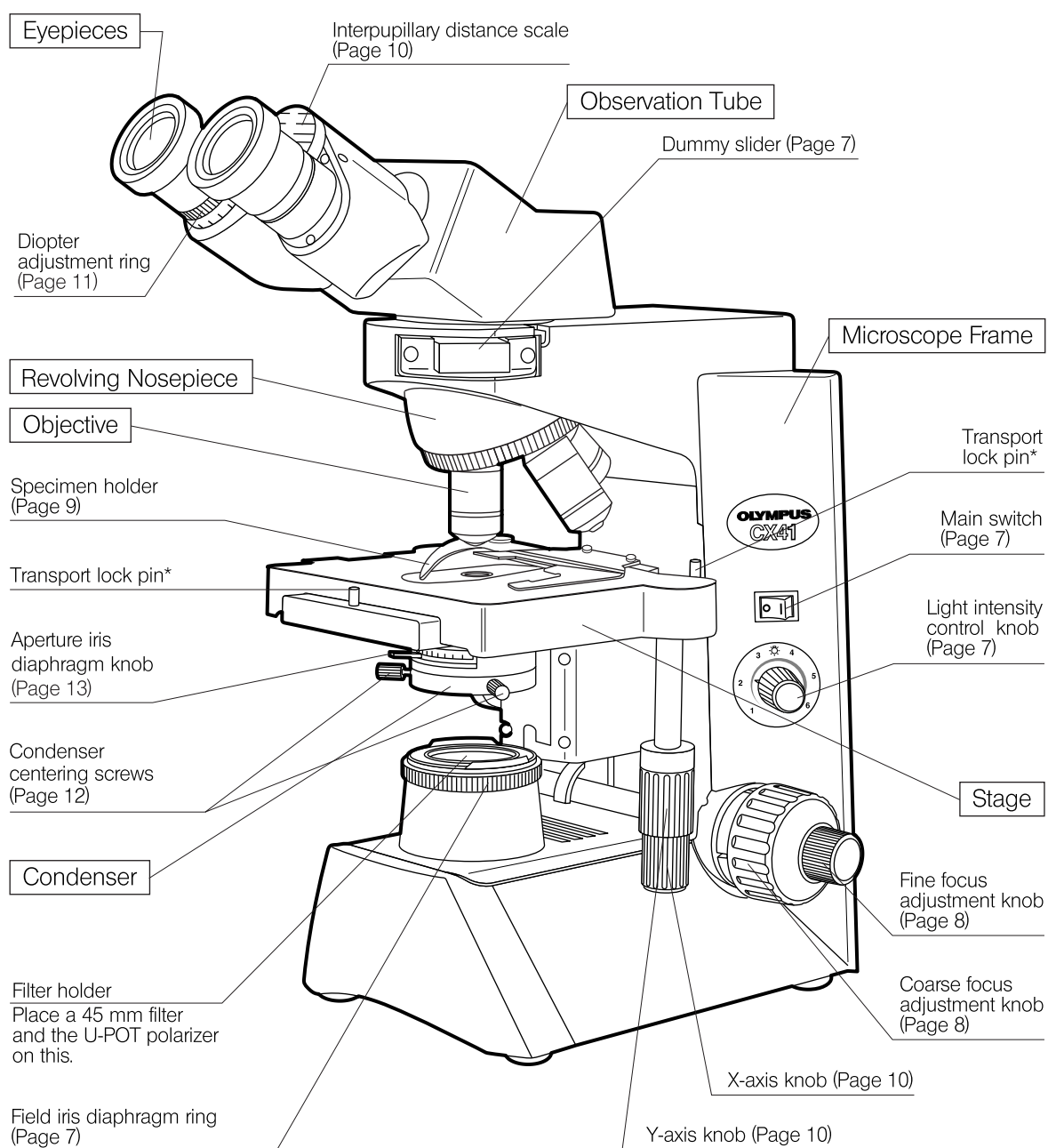
**FCC WARNING** : Changes or modifications not expressly approved by the party responsible for compliance could void the user's authority to operate the equipment.

# 1 NOMENCLATURE

©The following illustration shows the CX41RF which is the microscope frame with the X-axis/Y-axis knobs provided on the right side. The CX41LF is X-axis/Y-axis knobs are provided on the left side.

\* The stage is shipped with **the two transport pins locked**. When using the microscope for the first time, remove the transport lock pins before use.

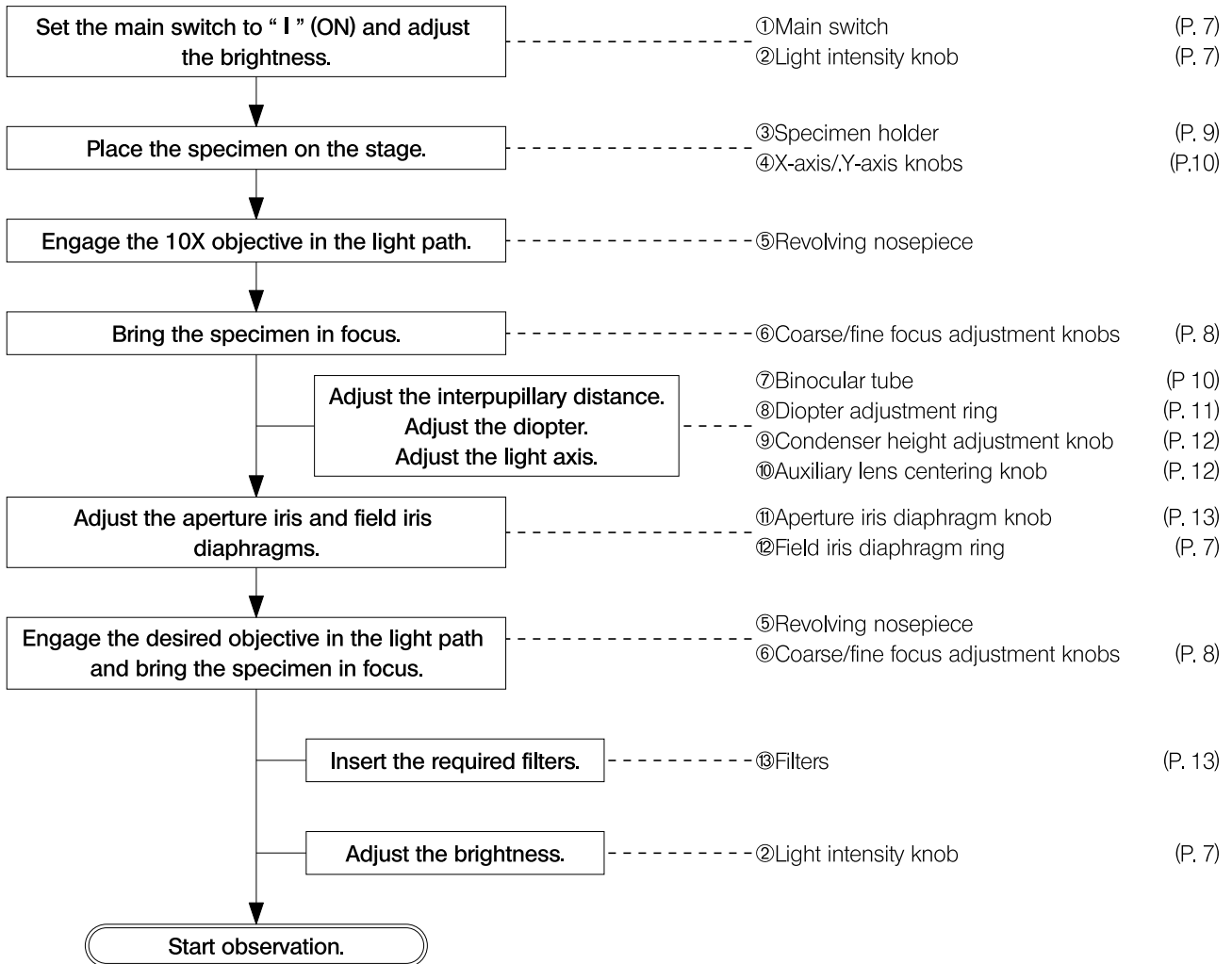
©If you have not yet assembled the microscope, read Chapter 7, "ASSEMBLY" on pages 21 to 24.



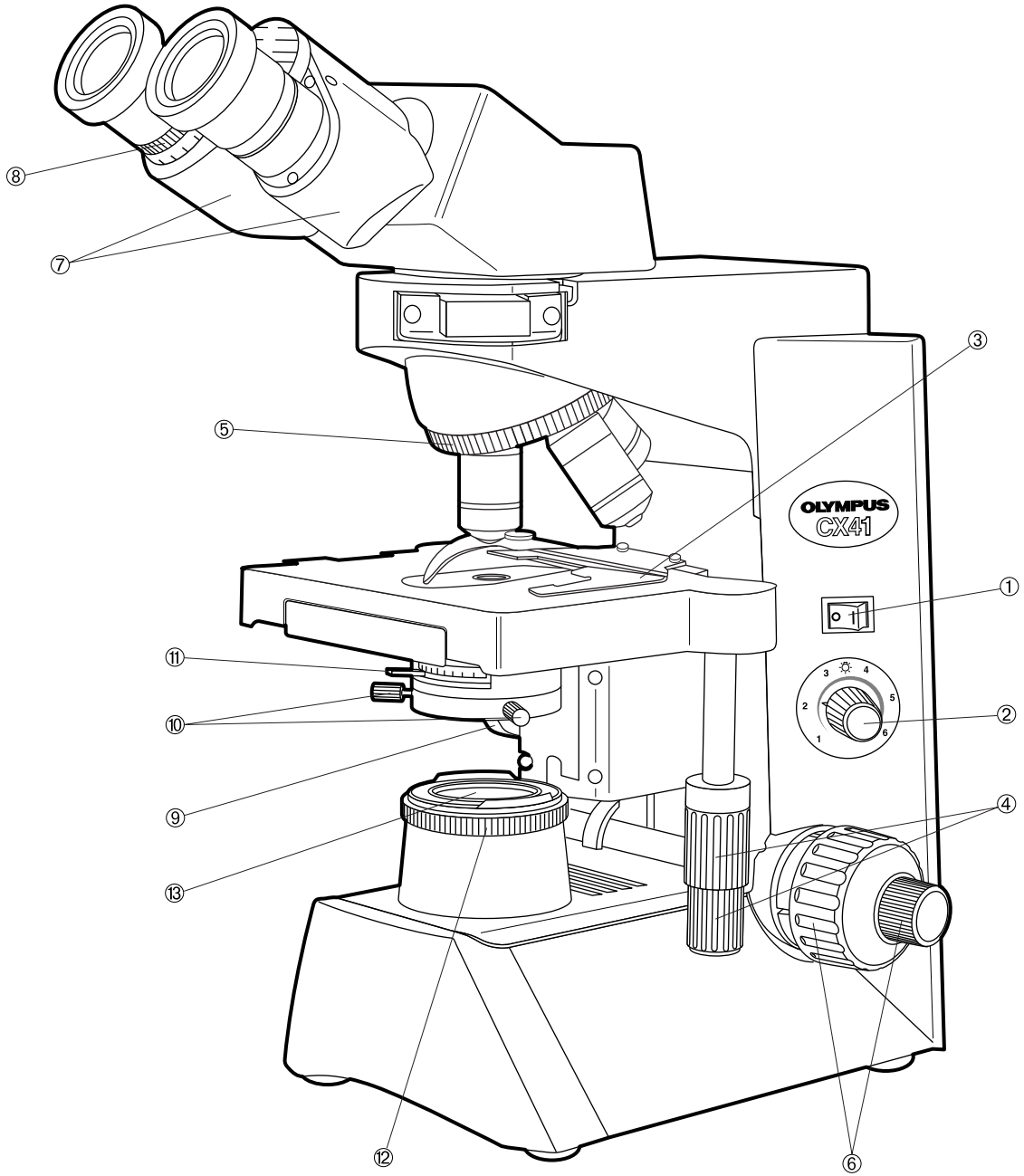
# 2

## SUMMARY OF BRIGHTFIELD OBSERVATION PROCEDURE

(Controls Used) (Page)







© Copy the observation procedure pages on a separate sheet and post it near your microscope.

# 3 USING THE CONTROLS

## 3-1 Base

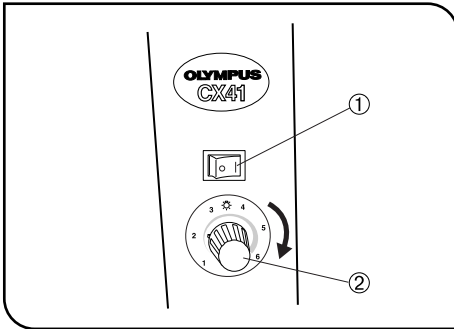


Fig. 3

### 1 Turning On the Bulb (Fig. 3)

1. Set the main switch ① to "I" (ON).
2. Turn the light intensity knob ② clockwise in the direction of the arrow to make the illumination brighter or counterclockwise to make it darker. The numbers around the knob indicates the reference voltage values.

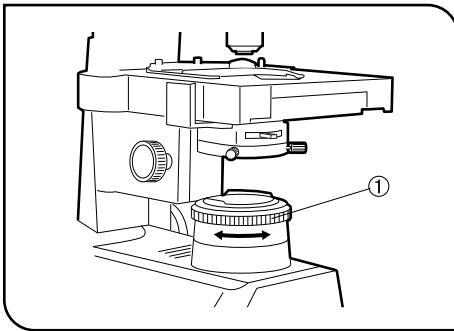


Fig. 4

### 2 Field Iris Diaphragm (Fig. 4)

Using the field iris diaphragm ring ①, adjust the diameter of the field iris for objective power to the extent that it just circumscribes the field of view. When the field iris diaphragm is stopped down to circumscribe the field of view, it will exclude extraneous light and improve image contrast within the field of view.

- ★When using the 100X objective, the field iris diaphragm image will not be visible within the field of view. Accordingly, stop down the diaphragm to its smallest diameter.

### 3 Dummy Slider

The dummy slider provided with the microscope frame can be used to accommodate the optional transmitted light analyzer (U-ANT). By preparing a transmitted light polarizer (U-POT) and polarizing light condenser (CH3-CDP), simple polarized light observation becomes possible. Also refer to the instruction manual of the CX-POL.

## 3-2 Focusing Block

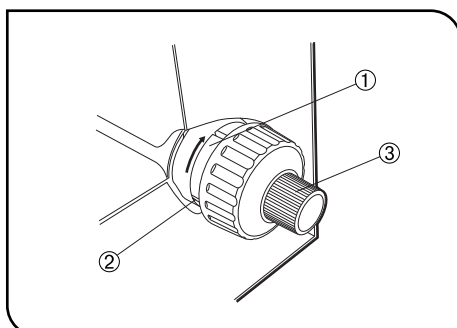


Fig. 5

### 1 Adjusting the Coarse Adjustment Knob Tension (Fig. 5)

1. The coarse adjustment knob tension is preadjusted for easy use. However, if desired, one can change the tension using the tension adjustment ring ①. Applying a large flat-bladed screwdriver to any of the grooves ② on the circumference of the ring, turning the ring clockwise (in the direction of the arrow) increases tension, and vice versa.
2. The tension is too low if the stage drops by itself or focus is quickly lost after adjustment with the fine adjustment knob ③. In this case, turn the ring in the direction of the arrow to increase tension.

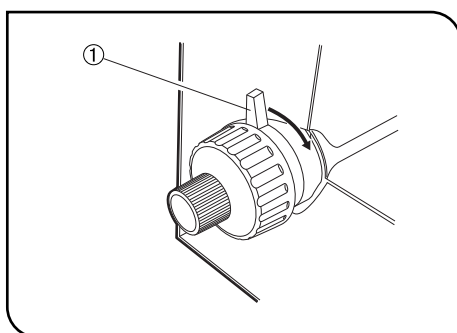


Fig. 6

### 2 Pre-focusing Lever (Fig. 6)

The pre-focusing lever ensures that the objective does not come in contact with the specimen and simplifies focusing.

After focusing on the specimen with the coarse adjustment knob, turn this lever ① clockwise (in the direction of the arrow) and lock; the upper limit on coarse adjustment movement is set at the locked position.

- ◎ Focusing using the fine adjustment knob is not affected by the pre-focusing dial. Accordingly, after using the coarse adjustment knob to lower the stage for changing specimens or applying immersion oil (see section 3-6), refocusing is easily accomplished by rotating the coarse adjustment to reach the pre-focusing position, then making fine adjustments with the fine adjustment knob.

★ When not required, leave the pre-focusing dial unlocked.

## 3-3 Stage

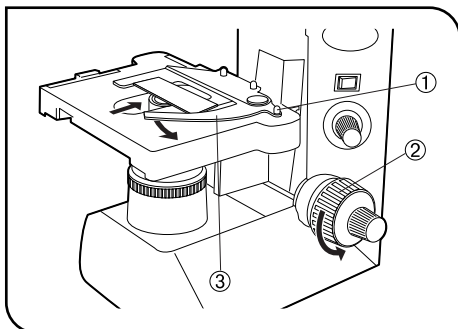


Fig. 7

### 1 Placing the Specimen

(Fig. 7)

★Releasing the curved finger with great force or suddenly releasing your grip on the curved finger knob ① while releasing the curved finger will crack or damage the slide glass. Always place the specimen with great care.

#### Observation with Specimen Holder for Single Specimen Slide

1. Turn the coarse adjustment knob ② counterclockwise (in the direction of the arrow) to lower the stage.
2. Open the spring-loaded curved finger ③ on the specimen holder and place the specimen slide into the specimen holder from the front.
3. After placing the slide as far as it will go, gently release the curved finger ③.

#### Observation with Specimen Holder for Two Specimen Slides

1. Place the first specimen slide as described in steps 1 and 2 above, then place the second specimen slide so that it contacts the first specimen slide.
2. Gently release the curved finger ③.

#### Observation by Placing the Specimen Slide with One Hand

Place the specimen slide at the front of the stage, then slide the specimen slide on the stage surface to slowly and gradually open the curved finger in the direction of the arrow. Insert the specimen slide into the specimen holder until it is fully and properly seated in the specimen holder.

#### • Cover Glass

Use cover glasses of 0.17 mm thickness in order to allow the objectives exhibit their full performances.

#### • Specimen Slide

Use specimen slides of 0.9 to 1.4 mm thickness. Using thicker specimen slides may result in inaccurate imaging of the field iris diaphragm image on the specimen.

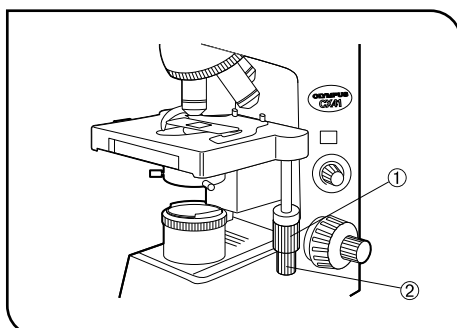


Fig. 8

## 2 Moving the Specimen (Fig. 8)

Turn the upper knob which is the Y-axis knob ① to move the specimen in the vertical direction, and turn the lower knob which is the X-axis knob ② to move it in the horizontal direction.

★Do not use the specimen holder or stage to move the specimen, for this will damage the rotating mechanisms of the knobs.

★When the stage and specimen holder are stopped by the pre-focusing dial, the tension of the X-axis/Y-axis knobs increases. In this case, do not attempt to turn the knobs to move the stage beyond the stopped position.

## 3-4 Observation Tube

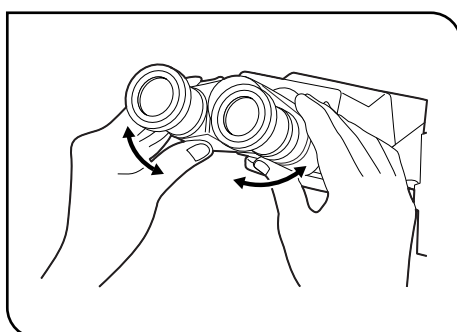


Fig. 9

## 1 Adjusting the Interpupillary Distance (Fig. 9)

▲Be careful not have your finger caught by the clearance below the binocular tube during interpupillary distance adjustment.

While looking through the eyepieces, adjust for binocular vision until the left and right fields of view coincide completely. The index dot • indicates the interpupillary distance.

◎Note your interpupillary distance so that it can be quickly duplicated.

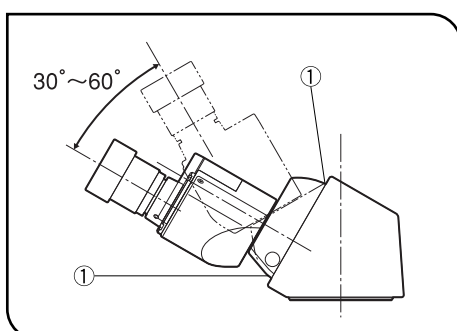


Fig. 10

## 2 Adjusting the Tilt (U-CTBI only) (Fig. 10)

◎The tilting observation tube can be adjusted to a height and angle suitable for ease of observation.

Hold the binocular section with both hands and move it up or down as desired.

★To prevent damage to the mechanism, do not apply an excessive force above or below the upper and lower stop positions.

▲Be careful not to have your finger by the clearance ① on the cover during tilt adjustment.

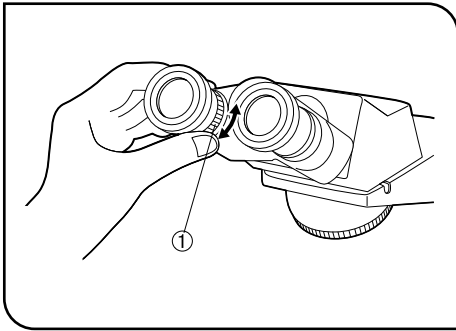


Fig.11

### 3 Adjusting the Diopter

(Fig. 11)

ⓄWhen using the U-CTBI, align the white marking on the right eyepiece's diopter adjustment ring scale with the index line.

1. Looking through the right eyepiece with your right eye, rotate the coarse and fine adjustment knobs to bring the specimen into focus.
2. Looking through the left eyepiece with your left eye, turn the diopter adjustment ring ① to focus on the specimen.

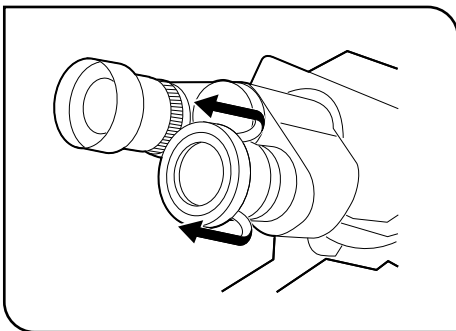


Fig. 12

### 4 Using the Eye Shades

(Fig. 12)

#### When Wearing Eyeglasses

Use with the eye shades in the normal, folded-down position. This will prevent the eyeglasses from contacting and scratching the eyepieces..

#### When Not Wearing Eyeglasses

Extend the folded eye shades in the direction of the arrow for efficient use of the eyeshades by preventing extraneous light from entering between the eyepieces and eyes.

### 5 Light Intensity Ratio of Trinocular Tube U-CTR30-2

The U-CTR30 does not have the light path switching facility and the light intensity ratio is fixed at binocular tubes (50%): TV/photography (50%).

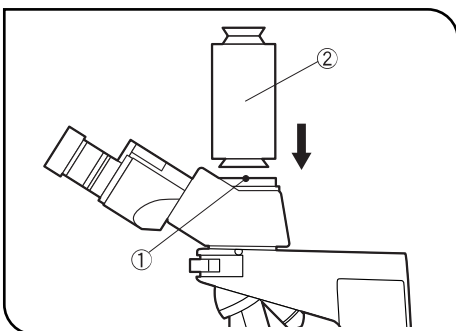


Fig. 13

### 6 Photomicrography/TV Observation

(Fig. 13)

1. Using the provided Allen wrench, fully loosen the clamping screw ① on the straight photo tube mount on the trinocular tube U-CTR30-2.
2. Attach the U-SPT straight photo tube ② or a TV adapter on the mount and tighten the clamping screw ①.
3. Attach the photomicrography system or TV camera.

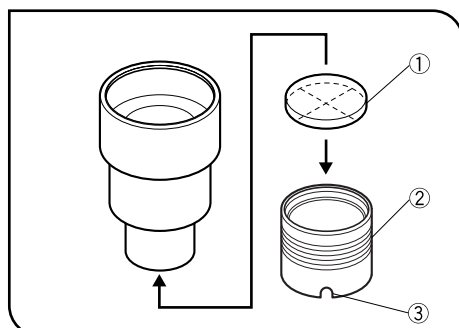


Fig. 14

## 7 Using the Eyepiece Micrometer Disk (Optional) (Fig. 14)

⊙ Prepare one eyepiece micrometer disk (diameter 20.4 mm, thickness 1 mm) and two 20.4-RH reticle holders (available as 2-piece set).

The field number becomes 19.6 when the reticle holders are used.

When the tilting observation tube U-CTBI is used, the field number is fixed at 18 and does not change.

⊙ If your eye is poor in eyesight and cannot focus the micrometer, use eyeglasses to correct your vision. (Dioptric correction of the U-CTBI is possible with the diopter adjustment ring of the eyepiece.)

1. Remove both eyepieces. (With the U-CTBI, remove only the right eyepiece by loosening the clamping screw using a small Phillips screwdriver.)

2. Hold the micrometer disk ① with the side with indications facing down and place it into a reticle holder ②.

★ **Be careful not to leave dirt on the micrometer disk, as it will be noticeable during observation.**

3. Screw the reticle holder ② containing the micrometer disk ① into the bottom of an eyepiece.

Be sure to screw in all the way by hooking your nail into the notch ③ on the holder at the end.

4. Screw the other reticle holder, alone, into the other eyepiece in order to align the field number.

5. Attach the eyepieces again.

## 3-5 Condenser

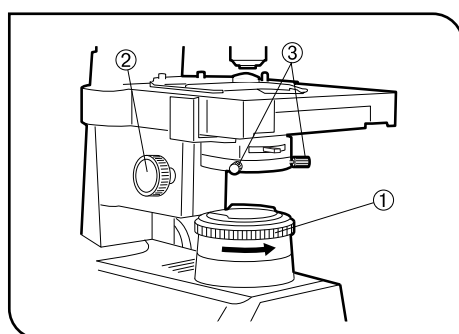


Fig. 15

## 1 Centering the Field Iris Diaphragm (Figs. 15 & 16)

1. With the 10X objective engaged and the specimen brought into focus, turn the field iris diaphragm ring ① counterclockwise to stop down the diaphragm to near its minimum size.

2. Turn the condenser height adjustment knob ② to bring the field iris diaphragm image into focus.

3. Rotate the two auxiliary lens centering knobs ③ to adjust so that the field iris diaphragm image is centered in the eyepiece field of view. (Figs. 15 & 16)

4. To check centration, open the field iris diaphragm until its image touches the perimeter of the field of view. If the image is not precisely inscribed in the field of view, center again. (Fig. 16)

5. When used for actual observation, open the field iris diaphragm until its image is slightly larger than the field of view.

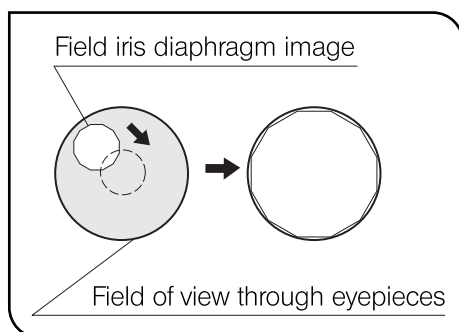


Fig. 16

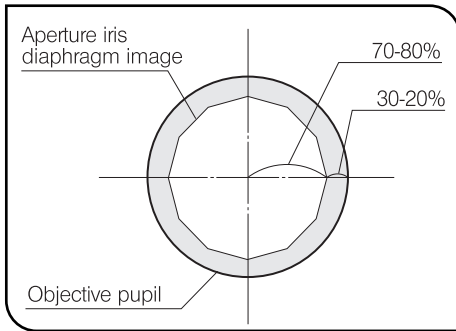


Fig. 17

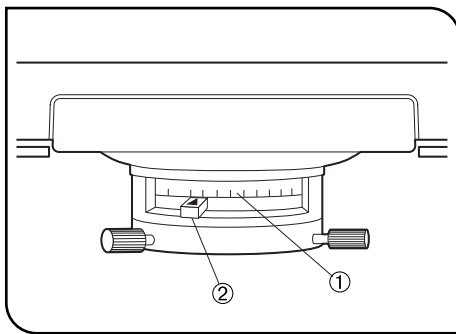


Fig. 18

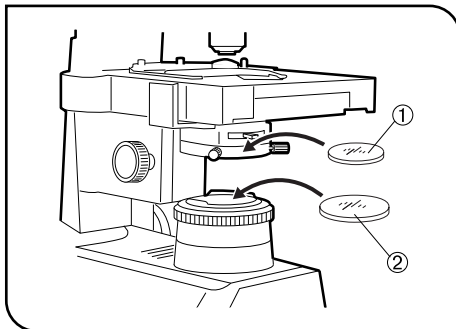


Fig. 19

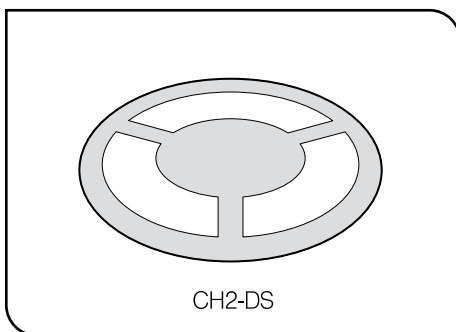


Fig. 20

## 2 Aperture Iris Diaphragm (Figs. 17 & 18)

- The aperture iris diaphragm is used to adjust the aperture of the illumination system, and its adjustment also affects the resolution and contrast. Also note that stopping down the aperture iris diaphragm results in increases the focal depth.
- Since the microscope specimens generally have low contrast, it is recommended to adjust the aperture iris diaphragm to about 70% or 80% of the aperture of the objective.

Remove the eyepieces and look into the eyepiece sleeves. When the aperture iris diaphragm image is observed as shown in Fig. 17, adjust it to an optimum aperture using the aperture iris lever ②. (Fig. 18)

★Do not stop down the aperture iris diaphragm too much, or ghosts may be observed.

★With the U-CTBI, the eyepieces cannot be removed. In this case, adjust by referring to the aperture scale ① as described below.

◎Adjustment by referring to the aperture scale

Adjust the aperture iris lever ② to the aperture scale ① on the condenser. As the aperture iris lever is wide, align its center with the desired scale. (Fig. 18)

## 3 Using Filters (Fig. 19)

◎You can place a filter in the light path with either method.

- Insert a filter with diameter of 32.5 mm ① in the condenser accessory (CH2-FH or CX-AL) attached below the condenser.
- Insert one or more filter with a diameter of 45 mm ② on the light exit glass on the microscope base.

◎For the types of the filters, please consult Olympus or its catalogues.

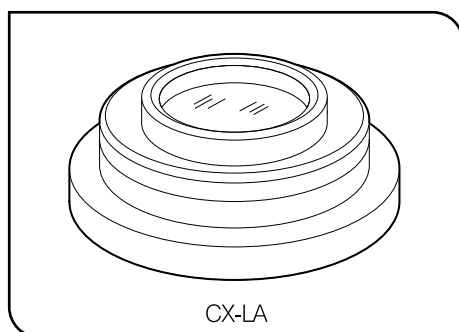
## 4 Using Darkfield Ring CH2-DS (Fig. 20)

◎The CH2-DS can be attached in the same way as inserting the 32.5 mm filter.

### Usage

Inserting the darkfield lens makes possible darkfield observations using a 4X to 40X objective.





CX-LA

Fig. 21

## 5 Using Low-Power Light Adjustment Objective CX-LA

◎The CX-LA is the lens designed for providing the illumination covering the illumination field of the 2X objective. The CX-LA can be attached below a specified condenser (see page 23).

★The CX-LA is designed exclusively for use in observation. As the aperture iris diaphragm cannot be seen and field iris diaphragm cannot be used when the CX-LA is used, set both iris diaphragms to the fully open conditions.

◎When the CX-LA is attached on one position of the CX-SLC slide condenser, observations using the 2X objective and using other objective can be switched with a one-touch operation.

## 6 Compatibility of Option Units and Condensers

Option Unit Name	Compatibility	Remark
Brightfield/darkfield phase contrast unit CX-PCD	The phase contrast can be centered. The field iris diaphragm can be centered using the provided auxiliary lens.	★The field iris diaphragm is invisible when the 40X or 100X objective is used.
Darkfield condenser CX-DCD	Centration of dark field is possible using the centering knobs on the condenser.	
Simplified polarized observation set CX-POL Including: • Condenser CH3-CDP • Analyzer U-ANT • Polarizer U-POT	The field iris diaphragm can be centered by preparing the CX-POL set and attaching the auxiliary lens for the CH3-CD condenser below the CH3-CDP.	★Polarized light observation is not available when the standard CH3-CD condenser is used.
Slide condenser CX-SLC	The field iris diaphragm can be centered by attaching the CX-AL auxiliary lens.	★The field iris diaphragm is invisible when the CX-LA low-power light adjustment lens is used.

## 3-6 Immersion Objectives

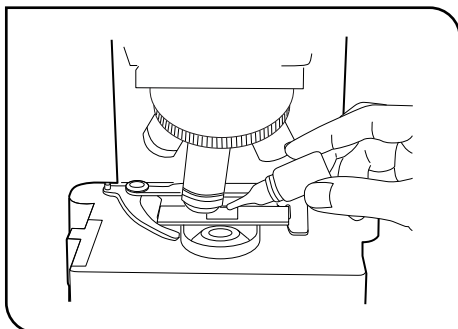


Fig. 22

1

### Using the Immersion Objectives

(Fig. 22)

★Be sure to use the provided Olympus immersion oil.

1. Focus on the specimen by switching the objectives from the lowest power to highest power.
2. Before engaging the immersion objective in the light path, place a drop of immersion oil provided with the 100X objective combination model onto the specimen at the area to be observed.
3. Turn the revolving nosepiece to engage the immersion objective, then focus using the fine adjustment knob.

★Since air bubbles in the oil will affect the image quality, make sure that the oil is free of bubbles.

- a. To check for bubbles, remove the eyepieces and fully open the field and aperture iris diaphragms, then look at the exit pupil of the objective inside the observation tube. (The pupil should appear round and bright.)
  - b. To remove bubbles, turn the revolving nosepiece to move the oil immersion objective back and forth a few times.
- ⊙If the condenser engraving shows a numerical aperture (NA) of 1.0 or higher, the number applies only when oil is applied between the slide glass and the top surface of the condenser. When oil is not present, the NA is about 0.9.
4. After use, remove oil from the objective front lens by wiping with gauze slightly moistened with absolute alcohol.

#### ▲Caution in use of the immersion oil

If immersion oil penetrates in your eye or attaches to your skin, apply the following treatment immediately.

Eye: Rinse with fresh water (for more than 15 minutes)

Skin: Wash with water and soap.

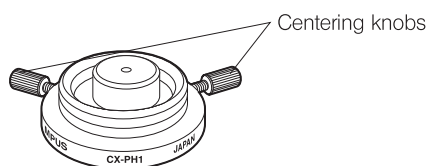
When the appearance of your eye or skin is altered or pain continues, immediately consult the doctor.

## 3-7 Simplified Phase Contrast Ring Slits CX-PH1/PH2/PH3

### 1 Appearance

#### Ring Slits

CX-PH1/PH2/PH3

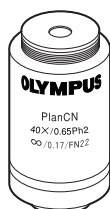


#### Green Filter

45G533 or 45IF550

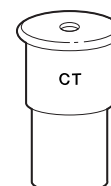


#### Phase Contrast Objectives



PlanCN-Ph series (10X, 20X, 40X, 100XO)

#### Centering Telescope CT-5



### 2 Installation

Attach a ring slit in the same way as a filter holder.

★Be sure to replace the objective with a phase contrast objective.

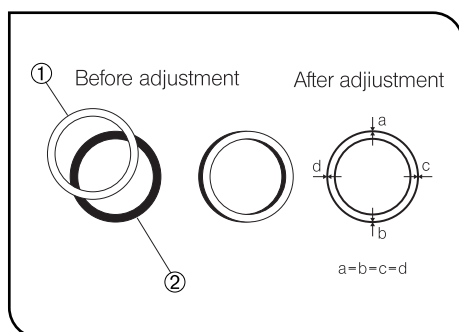


Fig. 23

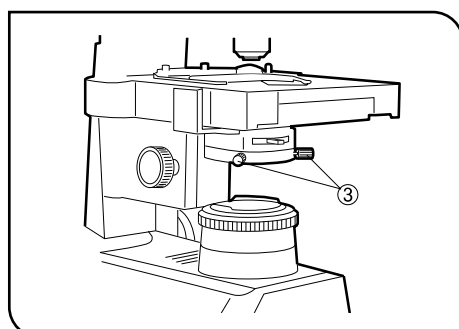


Fig. 24

### 3 Operation

(Figs. 23 & 24)

1. Turn the revolving nose piece to engage in light path the phase contrast objective lens with the same value as the ring slit in use.
2. Place the specimen and bring it in approximate focus.
3. Remove the eyepieces and replace them with the CT-5 centering telescope.
4. Turn the upper ring of the CT-5 to adjust the focus so that the bright ring (ring slit) ① and dark ring (objective's phase plate) ② are seen clearly in the field of view. (Fig. 23)
5. Rotate the two centering knobs ③ so that the bright and dark rings overlap concentrically. (Figs. 23 & 24)
6. Remove the CT-5, replace it with the eyepieces and start phase contrast observation.
7. To increase the image contrast, place the green filter (45 mm diam.) on the light exit glass of the microscope.

# 4 TROUBLESHOOTING GUIDE

Under certain conditions, performance of the unit may be adversely affected by factors other than defects. If problems occur, please review the following list and take remedial action as needed. If you cannot solve the problem after checking the entire list, please contact your local Olympus representative for assistance.

Problem	Cause	Remedy	Page
<b>1. Optical System</b>			
a) Field of view is obscured or not evenly illuminated	Revolving nosepiece is not correctly engaged.	Make sure that revolving nosepiece clicks properly into place.	-
	Condenser is not correctly attached.	Re-insert it all the way without tilt.	22
	Field iris diaphragm is not properly centered.	Center it.	12
	Field iris diaphragm is stopped down too far.	Open it to an optimum stop position.	12
	Dirt/dust on objective, eyepieces, condenser or light exit glass.	Clean them.	3
	Dummy slider is not correctly engaged.	Make sure that dummy slider clicks properly into place.	7
b) Dirt or dust is visible in the field of view.	Dirt/dust on light exist glass	Clean thoroughly.	3
	Dirt/dust on top lens of condenser		
	Dirt/dust on the specimen		
	Dirt/dust on eyepiece		
c) Image shows diffraction.	Condenser is lowered too far.	Adjust the condenser height position.	12
	Aperture iris diaphragm is stopped down too far.	Open it.	13
d) Visibility is poor. • Image is not sharp. • Contrast is poor. • Details are indistinct.	Objective is not engaged correctly in light path.	Make sure that revolving nosepiece clicks into place correctly.	-
	Dirt/dust on front lens of objective.	Clean it thoroughly.	3
	Immersion oil is not being used with an oil immersion objective.	Use immersion oil.	15
	Immersion oil contains bubbles.	Remove bubbles.	15
	Recommended immersion oil is not used.	Use the specified immersion oil.	15
	Dirt/dust on specimen.	Clean it.	3
	Dirt/dust on condenser.		
e) One side of image is blurred. Image seems to waver.	Objective is not engaged correctly in light path.	Make sure that revolving nosepiece clicks into place correctly.	-
	Specimen is not correctly mounted on stage.	Place specimen correctly on top of stage and secure it with specimen holder.	9

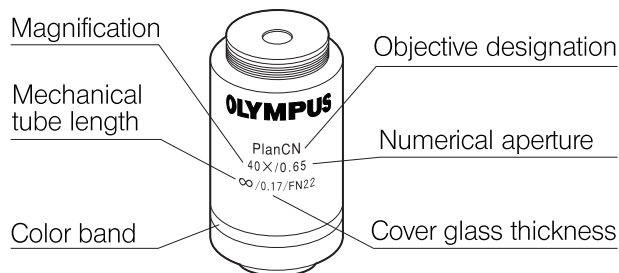
Problem	Cause	Remedy	Page
<b>2. Coarse/Fine Focus Adjustment</b>			
a) Coarse adjustment knob is hard to turn.	Tension adjustment ring is overtightened.	Loosen it.	8
	You are trying to raise stage with coarse adjustment knob even though pre-focusing lever is kept locked.	Unlock pre-focusing lever	8
b) Stage drifts down by itself or focus is lost during observation.	Tension adjustment lever is too loose.	Tighten it.	8
c) Coarse adjustment will not go all the way up.	Pre-focusing lever is keeping the stage down.	Unlock pre-focusing lever.	8
d) Coarse adjustment will not go all the way down.	Condenser holder is too low.	Raise condenser holder.	-
e) Objective makes contact with specimen before focus is obtained.	Specimen is mounted upside down.	Mount specimen correctly.	-
<b>3. Observation Tube</b>			
Field of view of one eye does not match that of the other.	Interpupillar distance is incorrect.	Adjust interpupillary distance.	10
	Incorrect diopter adjustment.	Adjust diopter.	11
	Different eyepieces are used on left and right.	Change on eyepiece to match the other so that both sides are the same.	-
	Your view is not accustomed to microscope observation.	Upon looking into eyepieces, try looking at overall field before concentrating on specimen range. You may also find it helpful to look up and into distance for a moment before looking back into microscope.	-
<b>4. Stage</b>			
Image blurs as you move specimen.	Specimen is not correctly positioned on the stage.	Mount specimen correctly by applying it on stage surface and inserting below specimen holder.	9
<b>5. Objective Change</b>			
Front lens of a high power objective comes into contact with specimen when it is engaged after a low-power objective.	Specimen is mounted upside down.	Mount specimen correctly.	-
	Cover glass is too thick.	Use 0.17 mm thick cover glass.	9
<b>6. Electrical System</b>			
a) Bulb does not light.	Bulb is not mounted.	Mount designated bulb.	22
	Bulb is burnt out.	Replace bulb.	22
	Power cord plug is not connected.	Connect power cord.	24
b) Bulb burns out almost immediately.	Wrong type of bulb is used.	Use correct bulb type.	22

# 5 SPECIFICATIONS

Item	Specification			
1. Optical system	UIS (Universal Infinity System) optical system			
2. Illumination	Illuminator built in. 6V 30W halogen bulb (PHILIPS 5761) (Average service time: Approximately 100 hr. when used as directed) 100-120 V/220-240 V $\sim$ , 0.85/0.45 A, 50/60 Hz			
3. Focusing	Stage height movement by roller guide (rack & pinion) Stroke per rotation: 36.8 mm Full stroke range: 25 mm Upper limit stopped by simplified pre-focusing lever Tension adjustment on coarse focus adjustment knob.			
4. Revolving nosepiece	Built-in 5-position revolving nosepiece, fixed with inward tilt. Slider inlet provided.			
5. Observation tube	Type	U-CBI30-2	U-CTR30-2	U-CTBI
		Binocular	Trinocular	Tilting binocular tube
	Field No.	20		18
	Tube inclination	30°		30°~60°
	Interpupillar distance adjustment	48 mm to 75 mm		
Light path selector	None	None (Fixed at BI 50%, Photo 50%)	None	
6. Stage	Size	188 mm x 134 mm		
	Movement range	76 mm (H) x 50 mm (V)		
	Specimen holder	2-slide holder		
7. Condenser	Type	Abbe condenser (with built-in daylight filter)		
	N.A.	1.25 (with oil immersion)		
	Aperture iris diaphragm	Built in		
8. Dimensions & weight	233(W) x 432(H) x 367.5(D) mm, approx. 6.9kg(15.2 lb.) (microscope frame only)			
9. Operating environment	<ul style="list-style-type: none"> <li>• Indoor use</li> <li>• Altitude: Max. 2000 meters</li> <li>• Ambient temperature: 5° to 40°C (41° to 104°F)</li> <li>• Maximum relative humidity: 80% for temperatures up to 31°C (88°F), decreasing linearly through 70% at 34°C (93°F), 60% at 37°C (99°F), to 50% relative humidity at 40°C (104°F).</li> <li>• Supply voltage fluctuations; Not to exceed <math>\pm 10\%</math> of the normal voltage.</li> <li>• Pollution degree: 2 (in accordance with IEC60664)</li> <li>• Installation/Overvoltage category: II (in accordance with IEC60664)</li> </ul>			

# 6 OPTICAL CHARACTERISTICS

The following table shows the optical characteristics of combinations of eyepieces and objectives. The figure on the right shows the performance data engraved on the objectives.



Characteristics Objective	Magnification	N.A.	W.D. (mm)	Cover Glass Thickness	Resolution ( $\mu$ m)	Eyepieces			Remark
						10X (FN*)			
						Total Mag.	Depth of Focus ( $\mu$ m)	Field of View	
<b>Plan CN</b>	4X	0.10	18.5	–	3.36	40X	175.0	5.0(4.5 )	
Plan Achromat (FN 22)	10X	0.25	10.6	–	1.34	100X	28.0	2.0(1.8 )	
	40X	0.65	0.6	0.17	0.52	400X	3.04	0.5(0.45)	
	100XO	1.25	0.13	–	0.27	1000X	0.69	0.2(0.18)	(optional)

\*Field numbers

- With the U-CBI30-2/U-CTR30-2, the field number is 20 when the WHB10X eyepieces are used. The actual field is indicated by the figure before ( ).
- With the U-CTBI, the field number is 18 when the provided dedicated 10X eyepieces are used. The actual field is indicated by the figure inside ( ).

### Glossary

Working distance (W.D.): The distance from the cover glass surface to the nearest point of the objective.

Numerical aperture (NA): The NA. value represents a performance number which can be compared to the relative aperture (f-number) of a camera lens. The higher NA, the higher the resolving power.

Resolving power: The ability to differentiate two points, i.e., the minimum distance by which the objects must be separated in order to be revealed as two separate objects.

Focal depth: The depth in the image through which the focused image will appear uniformly sharp. As the aperture iris diaphragm is stopped down, the focal depth becomes greater. The greater the NA. of an objective, the shorter the focal depth.

Field number: A number that represents the diameter in mm of the image of the field diaphragm that is formed by the lens in front of it.

Field of view diameter: The actual size of the field of view in millimeters.

Total magnification: Equals the objective magnification multiplied by the eyepiece magnification.

# 7 ASSEMBLY

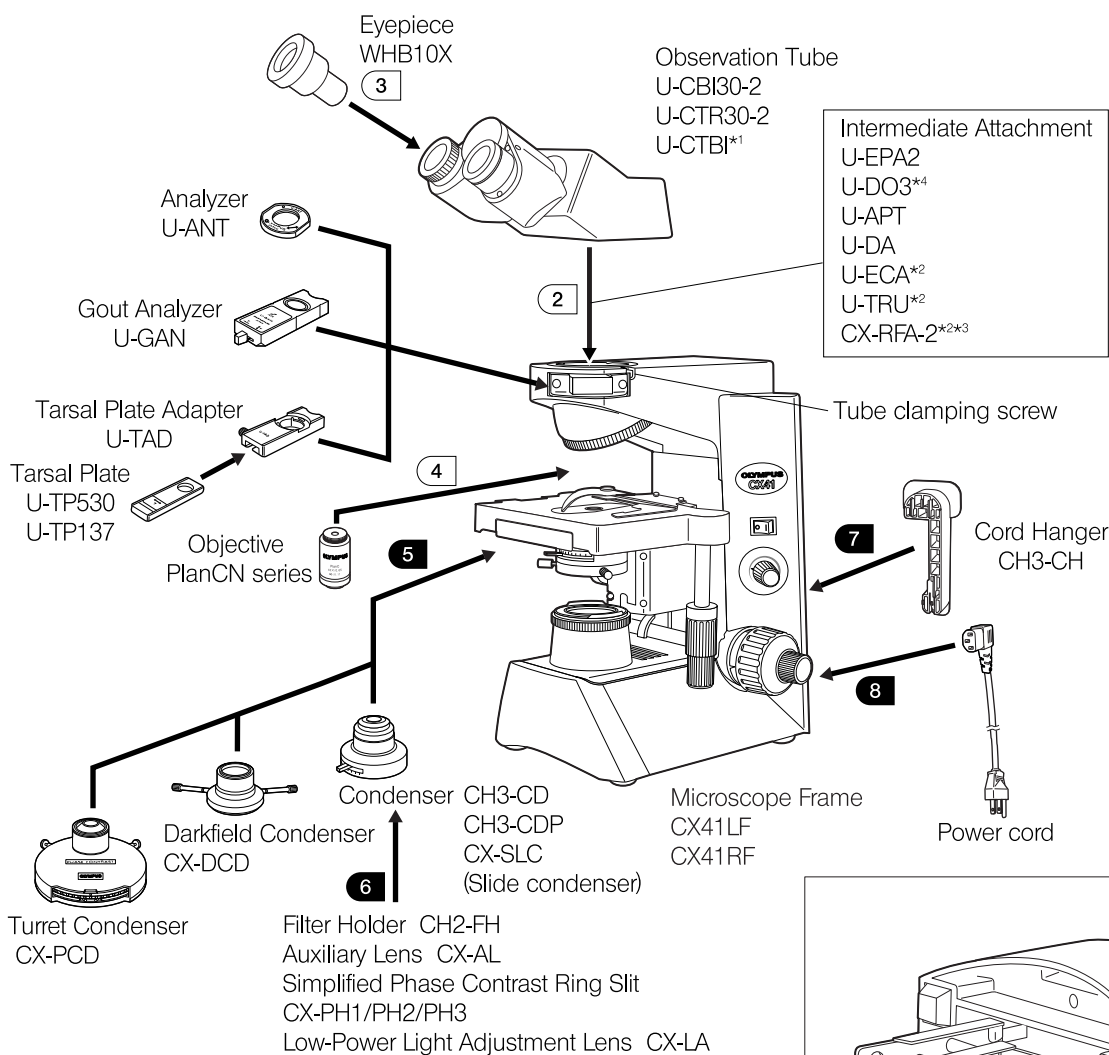
## 7-1 Assembly Diagram

The diagram below shows the sequence of assembly of the various modules. The numbers indicate the order of assembly. The module numbers shown in the following diagram are merely the typical examples. For the modules with which the module numbers are not given, please consult your Olympus representative or the catalogues.

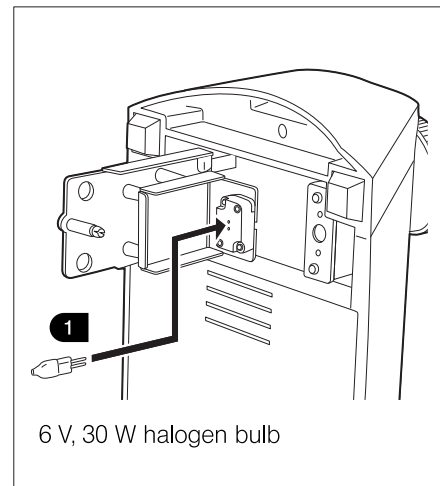
★When assembling the microscope, make sure that all parts are free of dust and dirt, and avoid scratching any parts or touching glass surfaces.

Assembly steps enclosed in ■ will be detailed on the subsequent pages.

◎All assembly operations are possible by using the Allen wrench (■) provided with the microscope.



- \*1 Provided with the dedicated 10X eyepieces (field number 18).
- \*2 Combination with the U-CTBI is not possible.
- \*3 Also combine the eyepiece adapter (field number 18) provided with the CX-RFA-2.(For details, refer to the instruction manual for the CX-RFA-2.)
- \*4 When combination U-CTBI + U-DO3 is used by mounting the U-CBI30-2 or U-CTR30-2 on the side-view side, the field number is 18 for the main observer and 20 for the assistant observer.





## 7-2 Detailed Assembly Procedure

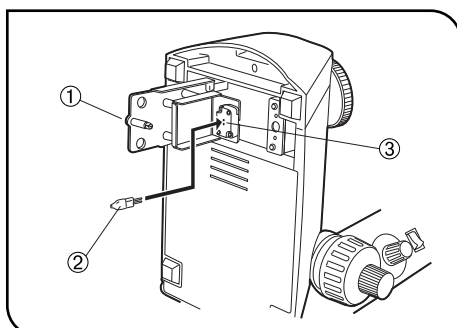


Fig. 25

### 1 Mounting the Bulb (Replacement of Bulb) (Fig. 25)

1. Turn the microscope frame on its side and pull the lamp housing knob ① on the underside of the base to open the lamp housing cover.
2. Holding the halogen bulb ② contained in the polyethylene bag to avoid leaving fingerprints on the bulb, fully insert the contact pins into the bulb socket ③. When properly seated, pull off the polyethylene bag.

◀Applicable bulb▶  
6 V, 30 W halogen bulb: 6V30WHAL (Philips 5761)

▲ Always use the designated bulb. Use of improper bulb may result in fire.

▲ Do not touch the bulb with bare hands. If fingerprints are accidentally left on the bulb, wipe the bulb with a soft, lint-free cloth moistened with alcohol. Using a contaminated bulb will shorten the service life of the bulb.

3. With the lamp housing knob still pulled out, close the lamp housing cover. Then push in the lamp housing knob to lock the cover.

★ The lamp housing cover cannot be closed if the knob is pushed in before you attempt to close the cover.

#### Caution for Bulb Replacement During Use or Right After Use

▲ Whenever you replace the bulb during use or right after use, first move the main switch to “O” (OFF), disconnect the power cord from the wall outlet, and allow the bulb and parts around the bulb to cool before touching.

★ If the bulb burns out during an observation and needs to be replaced, remove eyepieces, specimen, filter and other objects likely to fall off, before tilting the microscope frame to replace the bulb.

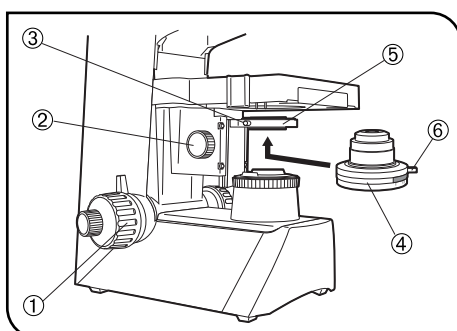


Fig. 26

### 5 Mounting the Condenser (Fig. 26)

1. Turn the coarse adjustment knob ① to raise the stage to its highest position.
2. Turn the condenser height adjustment knob ② to lower the condenser holder to the position where the clamping screw ③ can be turned.
3. Insert the condenser ④ all the way into the mounting hole ⑤ and clamp by tightening the clamping screw ③. Positioning the condenser with the diaphragm lever ⑥ at the front facilitates operation.
4. Turn the condenser height adjustment knob ② to raise the condenser holder to its highest position.

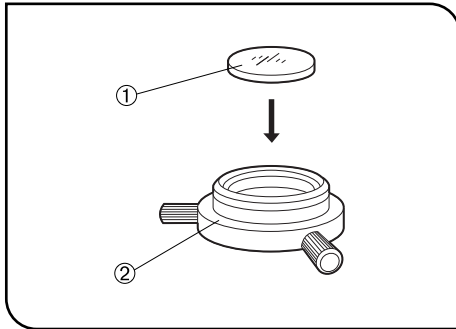


Fig. 27

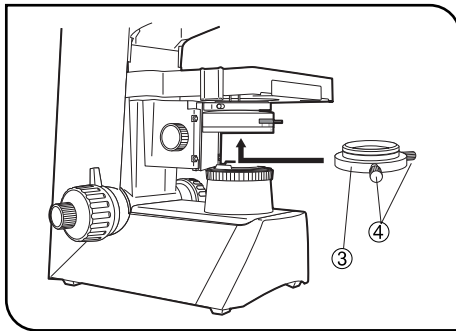


Fig. 28

## 6 Attaching the Condenser Accessory (Figs. 27 & 28)

◎  $\varnothing$  32.5 mm filter ① (32.5C, 32.5G533, 32.5LB45/150/200) can be inserted in the CH2-FH or CX-AL ②.

1. Push in the condenser accessory ③ all the way into the underside of the condenser until it clicks.
2. When attaching the CX-AL, push it in so that the centering screw ④ faces the front of the microscope to facilitate the manipulation.

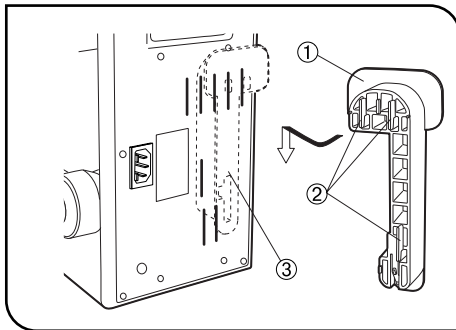


Fig. 29

## 7 Attaching the Cord Hanger (CH3-CH) (Figs. 29 & 30)

◎ By attaching the CH3-CH cord hanger on the rear of the microscope frame, the power cord can be accommodated by winding around the hanger.

Insert the hook ② of the cord hanger ① into the air vent groove on the rear of the microscope by aligning the attaching position ③, and clamp by sliding the cord hanger downward while pushing it against the microscope with a strong force.

★ Do not hold the microscope frame by the cord hanger when carrying the microscope. Otherwise, the cord hanger may be detached during transport, resulting in falling of the microscope and personal injury.

### Removal

▲ To prevent electric shock, disconnect the power cord first. Also make sure you use the provided Allen wrench, not a thin Allen wrench.

Move the microscope frame to the edge of the table ④, apply an Allen wrench ⑤ onto the lower part of the cord hanger ①, and move the entire hanger upward by pushing the Allen wrench toward the directions ① and ② to remove. (Fig. 30)

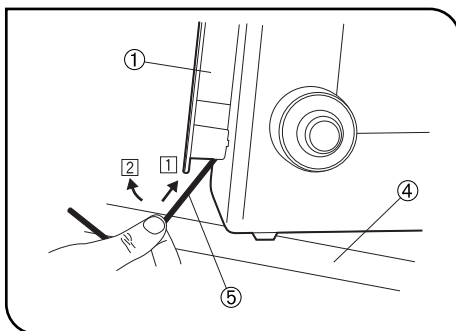


Fig. 30

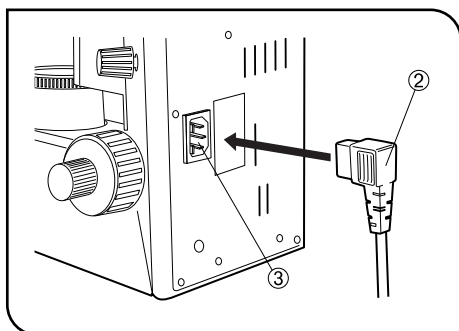


Fig. 31

## 8 Connecting the Power Cord (Figs. 31 & 32)

- ▲ Cables and cords are vulnerable when bent or twisted. Never subject them to excessive force.
- ▲ Make sure that the main switch is set to “ O ” (OFF) before connecting the power cord.
- ▲ Always use the power cord provided by Olympus. IF no power cord is provided with the microscope, please select the proper power cord by referring to section “PROPER SELECTION OF THE POWER SUPPLY CORD” at the end of this instruction manual.

1. Connect the power cord plug ② to the AC receptacle ③. (Fig. 31)

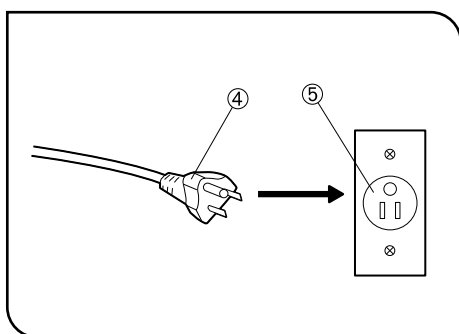


Fig. 32

- ▲ Connect the power cord to a grounded, 3-conductor power outlet and ensure that the ground terminal of the power supply and that of the wall outlet are properly connected.. If the equipment is not grounded, Olympus can no longer warrant the electrical safety performance of the equipment.

2. Plug the power cord plug ④ into the wall outlet ⑤. (Fig. 32)

## ■ PROPER SELECTION OF THE POWER SUPPLY CORD

If no power supply cord is provided, please select the proper power supply cord for the equipment by referring to "Specifications" and "Certified Cord" below.




















**CAUTION : In case you use a non-approved power supply cord for Olympus products, Olympus can no longer warrant the electrical safety of the equipment.**

### Specifications

Voltage Rating	125V AC (for 100-120V AC area) or, 250V AC (for 220-240V AC area)
Current Rating	6A minimum
Temperature Rating	60 minimum
Length	3.05 m maximum
Fittings Configuration	Grounding type attachment pulg cap Opposite teminates in molded-on IEC configuration appliance coupling.

**Table 1 Certified Cord**

A power supply cord should be certified by one of the agencies listed in Table 1, or comprised of cordage marked with an agency marking per Table 1 or marked per Table 2. The fittings are to be marked with at least one of agencies listed in Table 1. In case you are unable to buy locally in your country the power supply cord which is approved by one of the agencies mentioned in Table 1, please use replacements apprvped by any other equivalent and authorized agencies in your country.

Country	Agency	Certification Mark	Country	Agency	Certification Mark
Argentina	IRAM		Italy	IMQ	
Australia	SAA		Japan	JET, JQA, TÜV, UL-APEX / MITI	
Austria	ÖVE		Netherlands	KEMA	
Belgium	CEBEC		Norway	NEMKO	
Canada	CSA		Spain	AEE	
Denmark	DEMKO		Sweden	SEMKO	
Finland	FEI		Switzerland	SEV	
France	UTE		United Kingdom	ASTA, BSI	
Germany	VDE		U.S.A.	UL	
Ireland	NSAI				

**Table 2 HAR Flexible Cord**

## APPROVAL ORGANIZATIONS AND CORDAGE HARMONIZATION MARKING METHODS

Approval Organization	Printed or Embossed Harmonization Marking (May be located on jacket or insulation of internal wiring)		Alternative Marking Utilizing Black-Red-Yellow Thred (Length of color section in mm)		
			Black	Red	Yellow
Comite Electrotechnique Belge (CEBEC)	CEBEC	⟨HAR⟩	10	30	10
Verband Deutscher Elektrotechniker (VDE) e.V. Prütstelle	⟨VDE⟩	⟨HAR⟩	30	10	10
Union Technique de l'Electricité (UTE)	USE	⟨HAR⟩	30	10	30
Instituto Itaaliano del Marchio di Qualita' (IMQ)	IEMMEQU	⟨HAR⟩	10	30	50
British Approvals Service for Electric Cables (BASEC)	BASEC	⟨HAR⟩	10	10	30
N.V. KEMA	KEMA-KEUR	⟨HAR⟩	10	30	30
SEMKO AB Svenska Elektriska Matenelkontrollanstalter	SEMKO	⟨HAR⟩	10	10	50
Österreichisher Verband für Elektrotechnik (ÖVE)	⟨ÖVE⟩	⟨HAR⟩	30	10	50
Danmarks Elektriske Materialkontroll (DEMKO)	⟨DEMKO⟩	⟨HAR⟩	30	10	30
National Standards Authority of Ireland (NSAI)	⟨NSAI⟩	⟨HAR⟩	30	30	50
Norges Elektriske Materiellkontroll (NEMKO)	NEMKO	⟨HAR⟩	10	10	70
Asociacion Electrotecnica Y Electronica Espanola (AEE)	⟨UNED⟩	⟨HAR⟩	30	10	70
Hellenic Organization for Standardization (ELOT)	ELOT	⟨HAR⟩	30	30	70
Instituto Portages da Qualidade (IPQ)	np	⟨HAR⟩	10	10	90
Schweizerischer Elektro Technischer Verein (SEV)	SEV	⟨HAR⟩	10	30	90
Elektriska Inspektoratet	SETI	⟨HAR⟩	10	30	90

Underwriters Laboratories Inc. (UL)  
Canadian Standards Association (CSA)

SV, SVT, SJ or SJT, 3 X 18AWG  
SV, SVT, SJ or SJT, 3 X 18AWG

# *MEMO*



# OLYMPUS®

---



**OLYMPUS CORPORATION**

Shinjuku Monolith, 3-1, Nishi Shinjuku 2-chome, Shinjuku-ku, Tokyo, Japan



**OLYMPUS LIFE SCIENCE EUROPA GMBH**

Postfach 10 49 08, 20034, Hamburg, Germany

**OLYMPUS AMERICA INC.**

3500 Corporate Parkway, P.O. Box 610, Center Valley, PA 18034-0610, U.S.A.

**OLYMPUS SINGAPORE PTE LTD.**

491B River Valley Road, #12-01/04 Valley Point Office Tower, Singapore 248373

**OLYMPUS AUSTRALIA PTY. LTD.**

31 Gilby Road, Mount Waverley, VIC., 3149, Australia

**OLYMPUS LATIN AMERICA, INC.**

5301 Blue Lagoon Drive, Suite 290 Miami, FL 33126, U.S.A.

